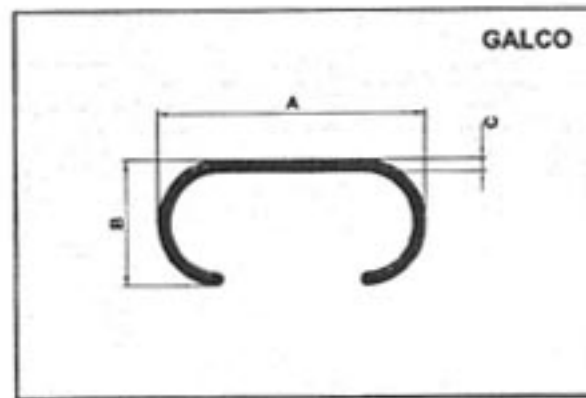


Geometrical Shapes

C Channel

**GALCO**



Geometrical Shapes

C Channel

**GALCO**

Product	A	B	C	Remark	Weight / Mtr
14800	66.65	31.75	3.00	0	0.950
14801	66.65	31.75	2.50	0	0.690
14802	66.65	31.75	2.00	0	0.640
14803	66.65	31.75	1.50	0	0.500

FILE NAME: NEW

# RECTANGULAR TUBE

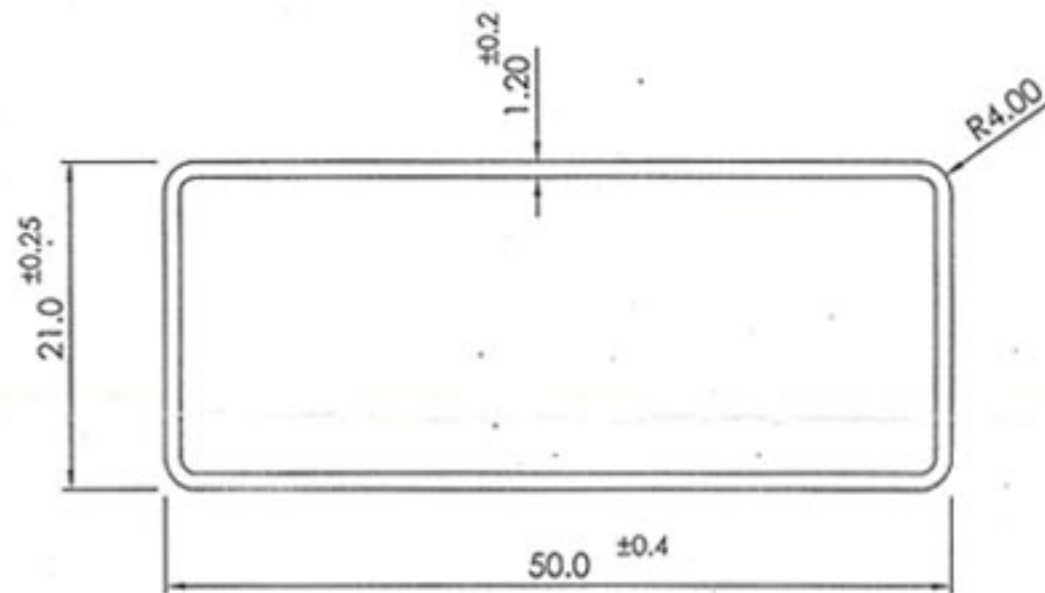
GALCO

DIE NO.: 10029

*Sleeve bent from*



Scale :- 1:1



FILE NAME : NEW

# LADDER SECTION

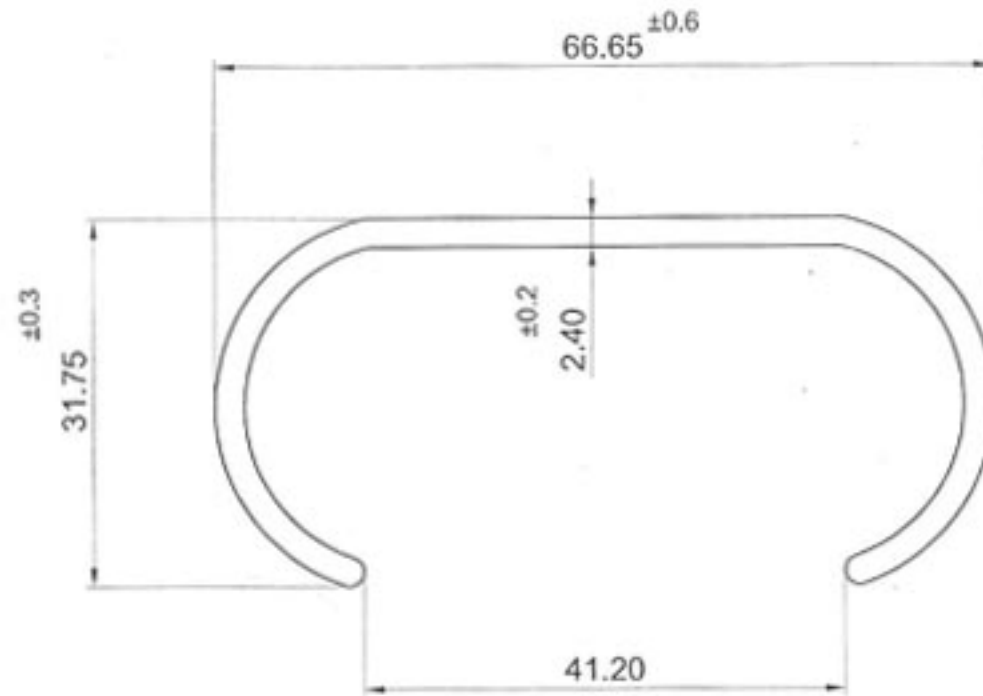
GALCO

DIE NO :- 14806



DIE.NO.: 14806

SCALE :- 1:1



Note :-

FILE NAME : NEW

# LADDER SECTION

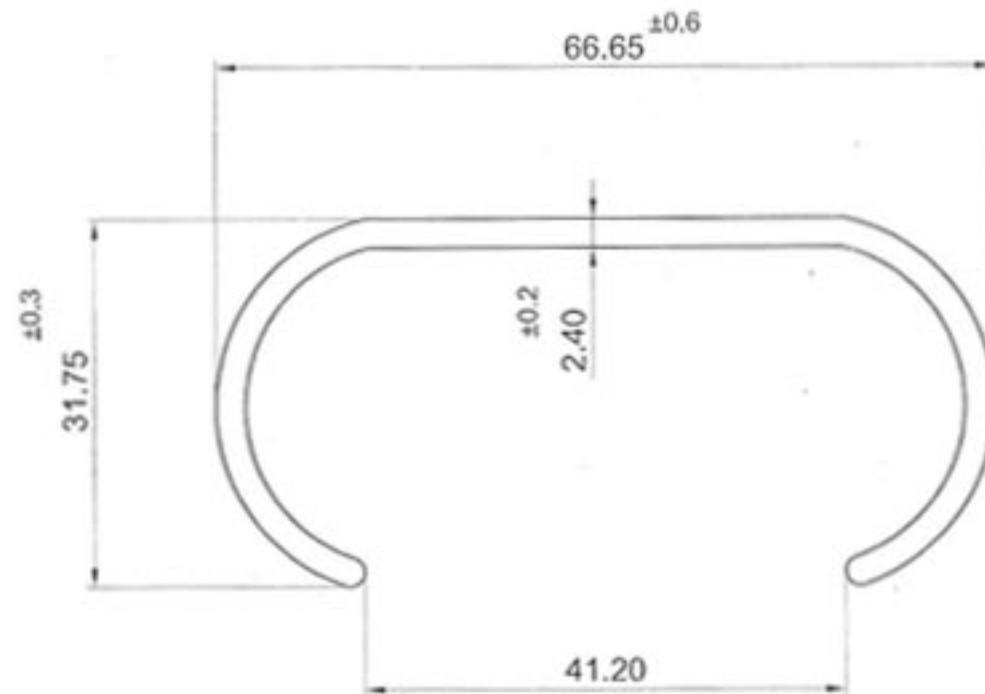
GALCO

DIE NO :- 14806



DIE.NO.: 14806

SCALE :- 1:1



Note :-

FILE NAME : 24500

# LADDER SECTION

**GALCO**

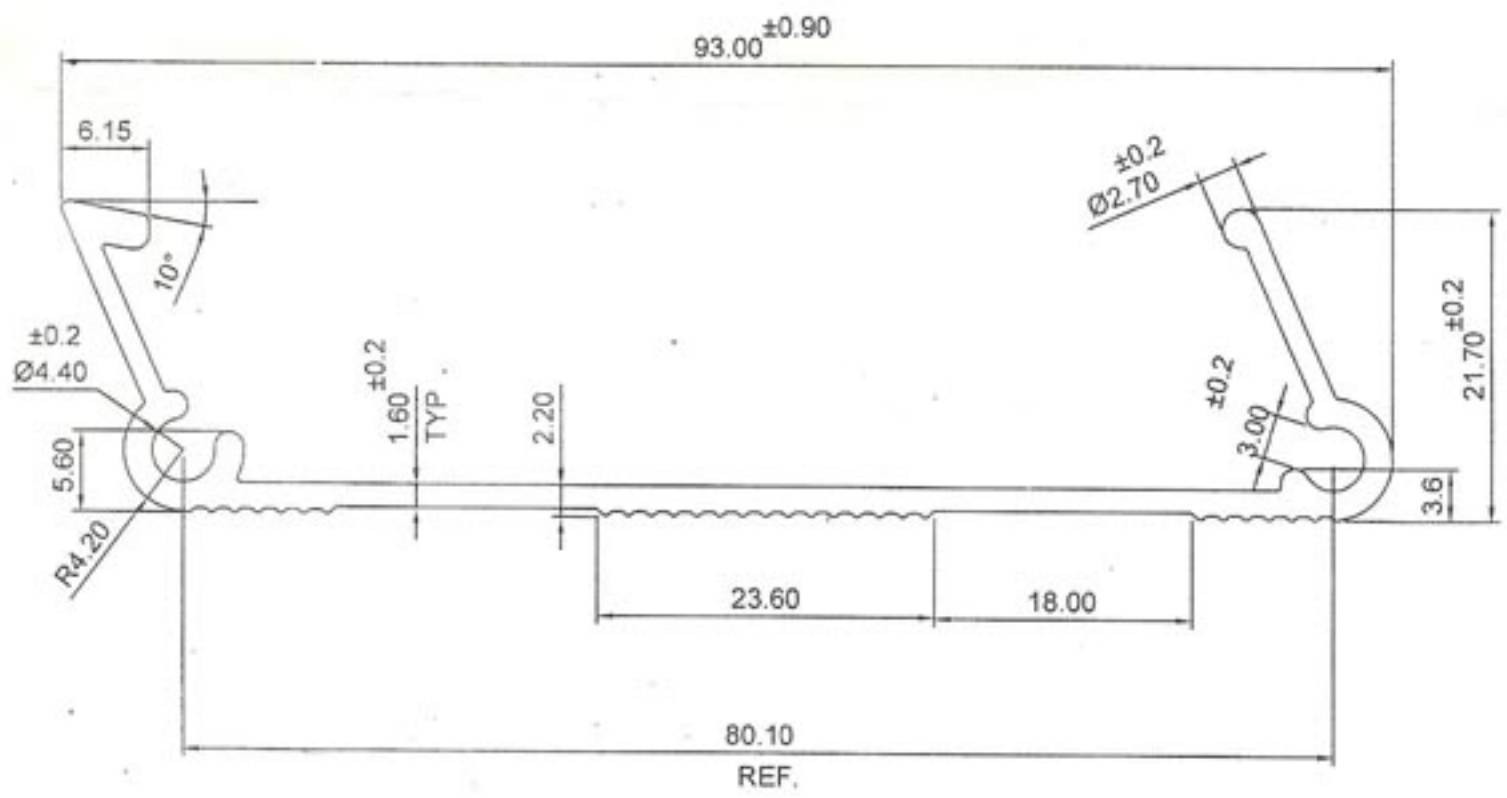
DIE NO. : 24500

*Baby step*



DIE NO. : 24500

SCALE : 1:1



10

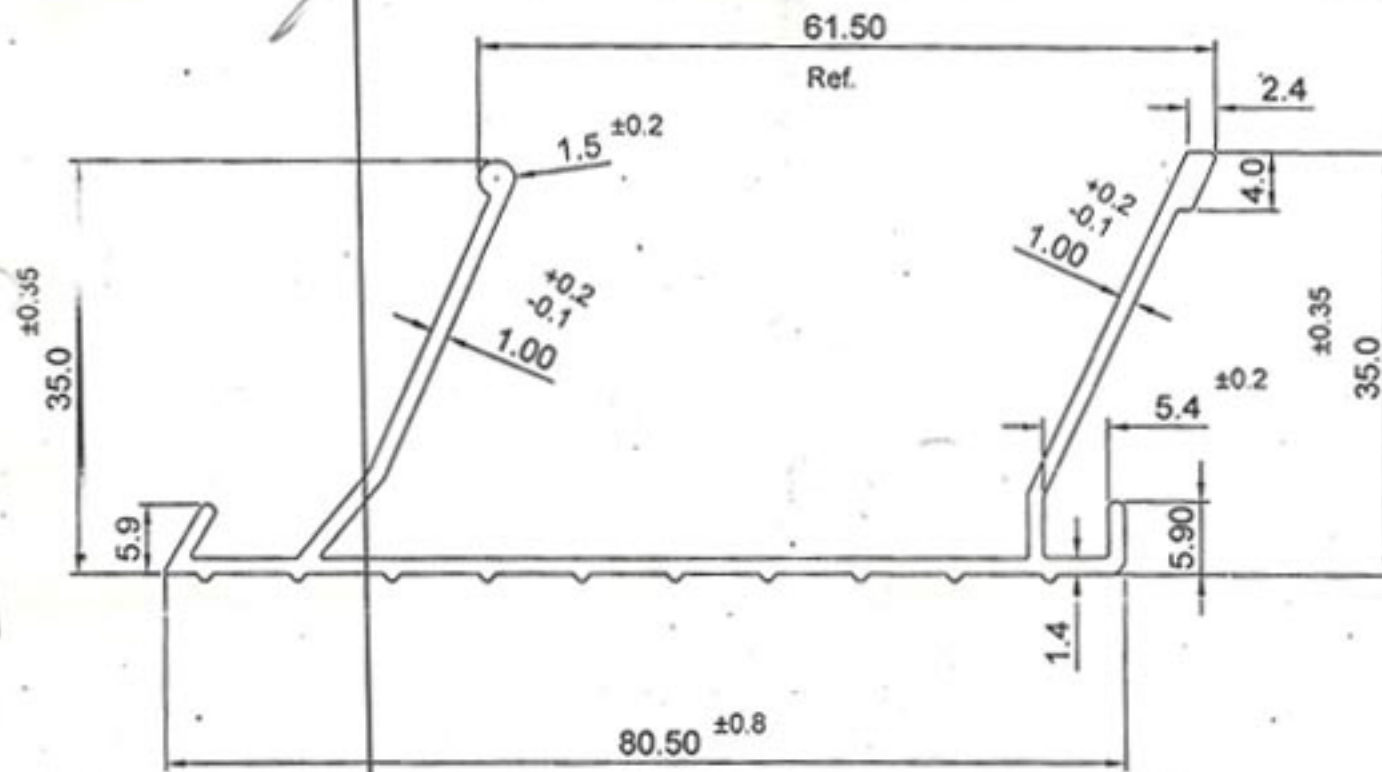
FILE NAME : 14809

LADDER

GALCO

DIE NO. : 14809

*Sleeve step*



Note :-

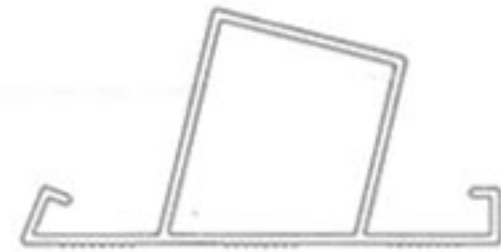
1) All dimensions are in mm

FILE NAME : 14804

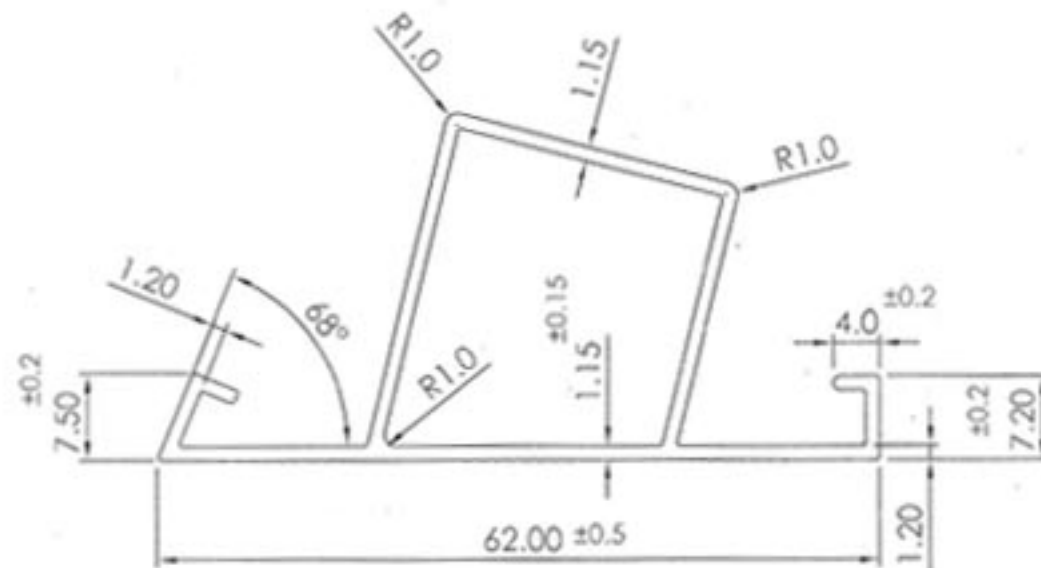
ARCHITECTURAL

GALCO

DIE NO :- 14804



Scale :- 1:1



FILE NAME : NEW

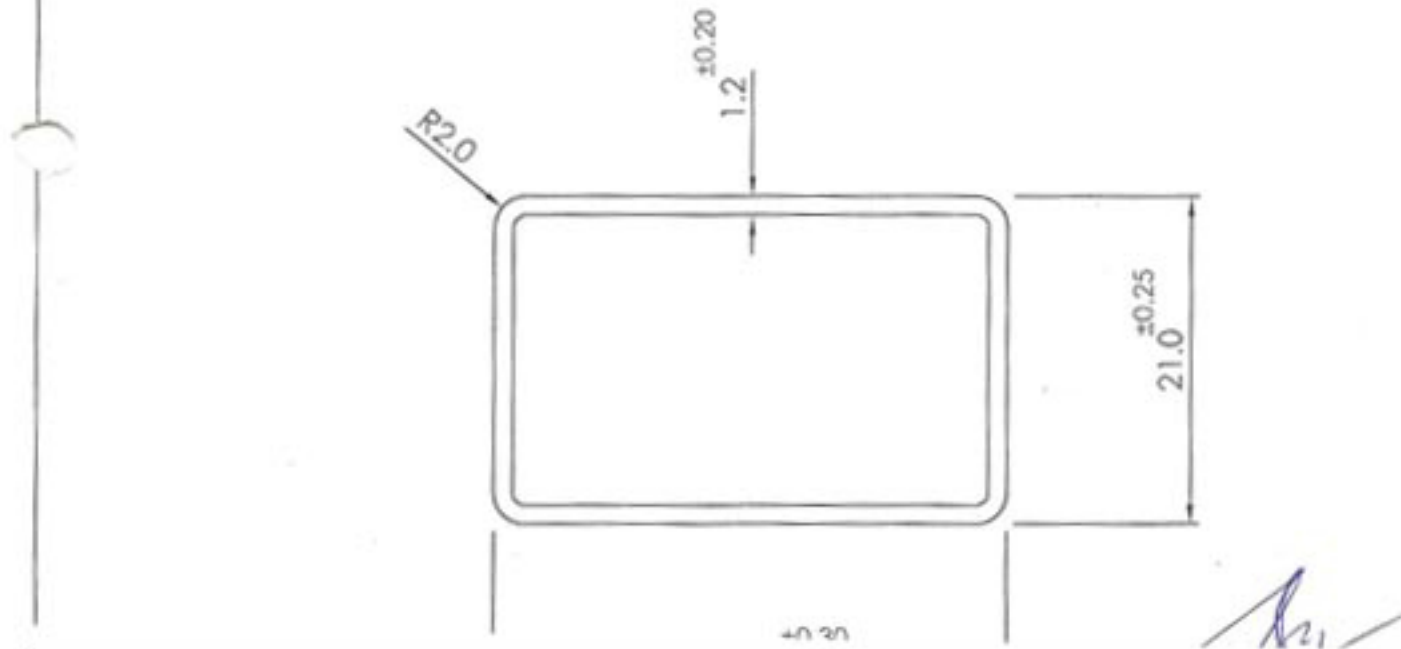
# RECTAGULAR TUBE

GALCO

DIE NO .: T2



Scale :- 1:1





**GALCO**

**Ladder**

